

Instructions for use of Pocket Battery 6V 4.1Ah NiMH- Code 1952
PLEASE READ INSRUCTIONS BEFORE USING THE BATTERY

General directions according to the standard regulations:

For indoor use only (protect against moisture).
 Note the information about the charger indicated on this istruction leaflet.
 Remember that all cells containing mercury, cadmium or lead as electro-chemical substances are subject to special waste disposal.
 The Pocket Battery is not pre-charged.
 The first charging time must not be less than 24 hours.
 The best efficiency is obtained after the third charge/discharge cycle.
 Standard charging time with Ianiro Quick Charger Code 1953 is approximately 2h 30'.
 The Pocket battery stops powering automatically the DiVino light, before reaching a deep discharge level.

Specifications:

type: 5 cells Ni-MH; volts: 1,2V each cell; nominal capacity: 4100mAh;
 max discharge range: from 410mA to 12300 mA;
 cycles: 500 (IEC standards); weight: 290 gr.;
 dimensions in pocket pouch (with adjustable waist string): H 115mm x L 77mm x W 31mm

Instructions for use of Quick Charger Ianiro 1953 Code for Pocket battery 1952
PLEASE READ INSRUCTIONS BEFORE USING THE CHARGER

General directions according to the standard regulations:

For indoor use only (protect against moisture).
 Do not use for charging non-rechargeable batteries.
 Note the information about the type of battery, the number of cells, the charging time and the nominal rating of the battery on this istruction leaflet.
 Remember that all cells containing mercury, cadmium or lead as electro-chemical substances are subject to special waste disposal.

Features:

Ni-MH batteries can be charged before being totally discharged, without memory effect.
 The charger stops charging when the cells are fully charged, providing then a trickle charge.
 The charger is provided with automatic protection against overcharging and overheating.

LED Display / Red

<u>Indicating</u>	<u>Meaning</u>	<u>Remarks</u>
permanent light	rapid charge	standard
slow flashing	trickle charge	charging finished
quick flashing	cells deeply discharged or damaged	battery voltage less than 5,4V

Charge current:

During rapid charge (average) 2000mA; during trickle charge (average) 50mA

Deeply discharged pack:

In order to increase the pack voltage gradually, the pack is charged with a reduced main charging current of approx. 400mA.
 After reaching a pack voltage of 5,4V the unit switches over to main charge mode.
 If the deeply discharged mode remains (rapid flash), the cells might be damaged and the manufacturer must be informed.

Connection, Polarity:

The battery pack must be properly connected. Pay particular attention to the polarity!
 A reversed polarity connection will destroy the unit!

<u>Storage temperature</u>	from - 40°C a + 70°C
<u>Operating temperature</u>	from 0°C to + 40°C
<u>Ambient temperature</u>	25°C
<u>Type</u>	switching 90-264V AC/50-60Hz / 450mA

Charging capacity:

It can charge 4-6 Ni-Cd or Ni-MH cells from 4,8V to 7,2V / 2,5Ah to 10Ah

Charging time of Pocket Battery Code 1952 2h 30'

EMC Specifications

Noise-suppressed EN 55011,55014, 55022/B; Harmonic current emissions EN 61000-3-3;
 Immunity to electrostatic discharge EN 61000-4-2; Immunity to radiated electromagnetic field EN 61000-4-3;
 Immunity to fast electric transients (burst) EN 61000-4-4; Surge capability EN 61000-4-5;
 Immunity to conducted disturbances, induced by radio frequency fields EN 61000-4-6;
 Immunity to voltage dips, short interruptions and voltage variations EN 61000-4-11;

Further notices:

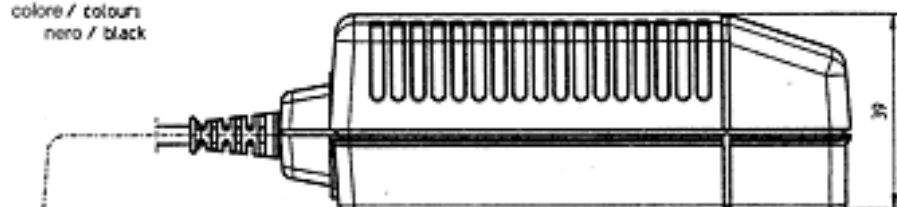
More specifications available from the manufacturer on request.
 Data contained in this istructions leaflet are subject to change without notice according to the technical and commercial needs of the manufacturer.
 Quick Charger Code 1953 & Pocket Battery Code 1952 are the Power system engineered for IANIRO "DiVino" on-board camcorder light.
 As for warranty terms and the appropriate use, we do not suggest to employ them in different applications if not previously examined and approved by the manufacturer.
 In particular the battery and the charger are not engineered and suited to power camcorders, but the light only.

Quick Charger Code 1953 is a product by Friwo- branded IANIRO
 Pocket Battery Code 1952 is a product by Ianiro



Costruzione /
housing construction: HPP30
Materiali: PPE-V1 125°C
colore / colour:
nero / black

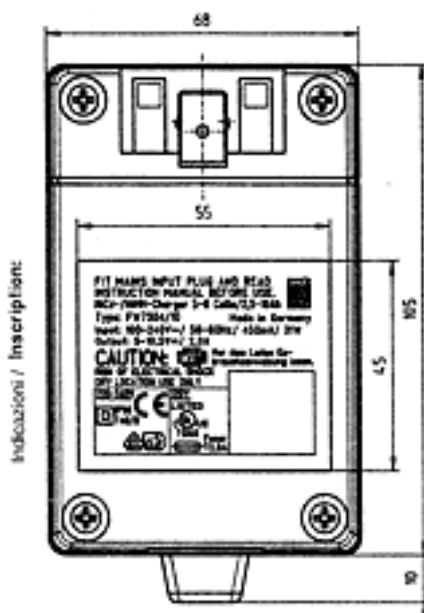
IANIRO 
LIGHTING EQUIPMENT



Spina staccabile /
plug detachable

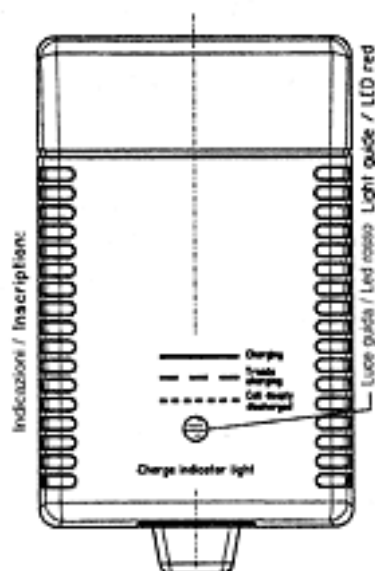


Cavo uscita / Output lead: Polarità / Polarity
10,5567,003-80
2x0,75mm² / lunghezza/length: 2000mm



Indicazioni /
Inscriptions:

FIT MAINS INPUT PLUG AND READ
INSTRUCTION MANUAL BEFORE USE.
ICL-7000-Charger 2-4 Cells, 1.2-1.8Ah
Type: FC7004/10 Made in Germany
Input: 100-240V~ 50-60Hz/ 450mA/ 5W
Output: 5-8.2V~ 1.2A
CAUTION: Do not use Lithium for
rechargeable batteries.
Do not use for
other applications.
Do not use for
other applications.
Do not use for
other applications.

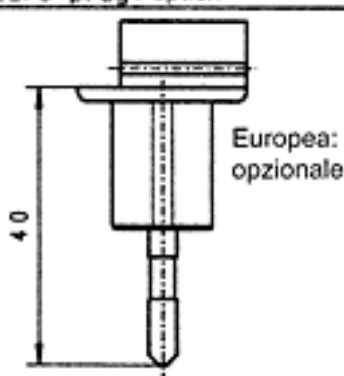


Indicazioni /
Inscriptions:

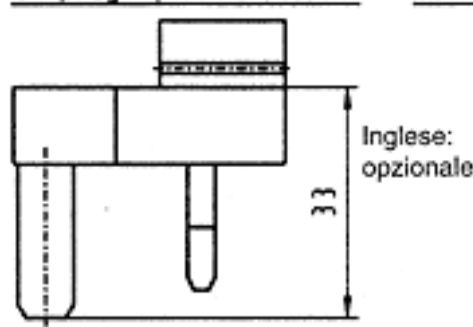
Luce guida / Led rosso / Light guide / LED red

Altro spine disponibili (2,5A)
Other available plugs (2,5A)

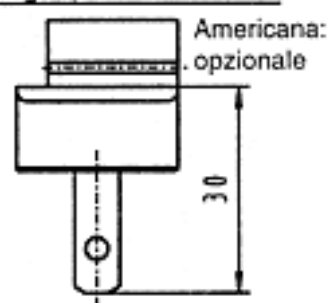
Euro-plug: option



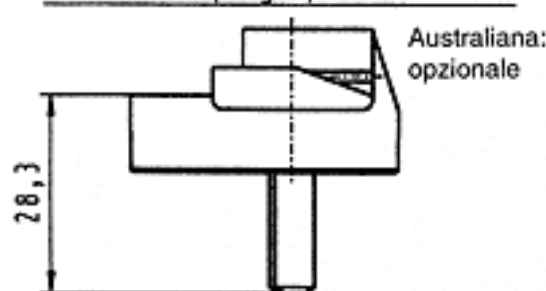
UK-plug: option



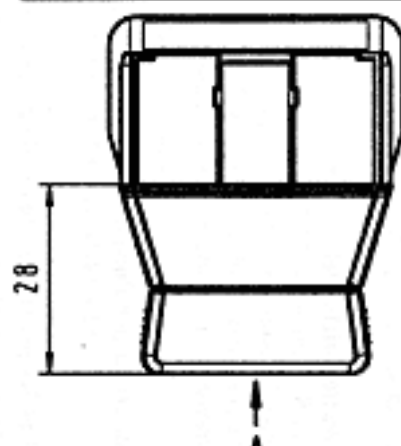
USA-plug: option



Australian-plug: option



Universal ROW-plug: included / Universale: in dotazione



vista A / view A



Presse / socket for:
DIN EN 60 320