



DUAL DC Ballast-125/200W

[AC Ballast 125/200W](#) | [DC Ballast 125/200W](#) | [Battery Belt](#) | [Battery Pack](#) | [Battery Charger](#)

FEATURES

- HIGHLY EFFICIENT DESIGN - Get more life from your battery.
- OPERATES FROM 20V TO 36V DC
- FLICKERFREE CRYSTAL CONTROLLED OUTPUT
- CONSTANT COLOUR TEMPERATURE
- INSTANT HOT-RESTRIKE CAPABILITY
- PRECISE POWER REGULATION FOR CONSTANT LIGHT OUTPUT
- DIMMABLE FROM 50-100% WITH CONSTANT COLOUR TEMPERATURE
- COMPATIBLE WITH DIGITAL CAMERAS
- ADVANCED DESIGN FOR MAXIMISED LAMP LIFE
- ULTRA QUIET OPERATION
- DUAL OUTPUT- Only one at a time
- REVERSE POLARITY PROTECTED
- SUPPORTS LAMPHEADS WITH OR WITHOUT ON/OFF SWITCHES
- SUPPORTS LAMPHEADS FITTED WITH SAFETY LOOP
- PROVEN AND RELIABLE DESIGN
- RUGGED, COMPACT AND LIGHTWEIGHT DESIGN

SPECIFICATIONS

· INPUT VOLTAGE	20 - 36 V DC
· INPUT CURRENT	Steady State: 100% light output 8A at 28V - 50% light output 4.5A Efficiency: nominal 90%
· OUTPUT CHARACTERISTICS	Precise power regulation to maintain constant power output, with instant hot-restrike capability. Output power can be variably dimmed up to 50% of the maximum luminous output. True square wave crystal controlled output.
· CONTROLS	ON / OFF CONTROLS The Ballast is fitted with a green ON switch and a red OFF switch. The green ON switch is indicated by an illuminated amber Power LED. An additional green LED indicates the lamp wattage connected to the Ballast. The red OFF switch turns off the Ballast. The Ballast ON/OFF switches can be utilised to remotely control the lamphead if required. DIMMING Dimming control is by means of a 270 degree turn potentiometer. Dimming is disabled after initially powering up the Ballast to enable the lamp to reach the correct colour temperature.
· OUTPUT SOCKET	Amphenol type: C 16 Series T3107-000 6+PE contacts Mating plug type: T3104-001 6+PE contacts
· CONNECTIONS	Pin 1 - Lamp, Pin 2 - Lamp, Pin 3 - Ignitor, Pin 4 - Function Pin 5 - Function, Pin 6 - Function, Pin 7 - PE. See Fig. 1.

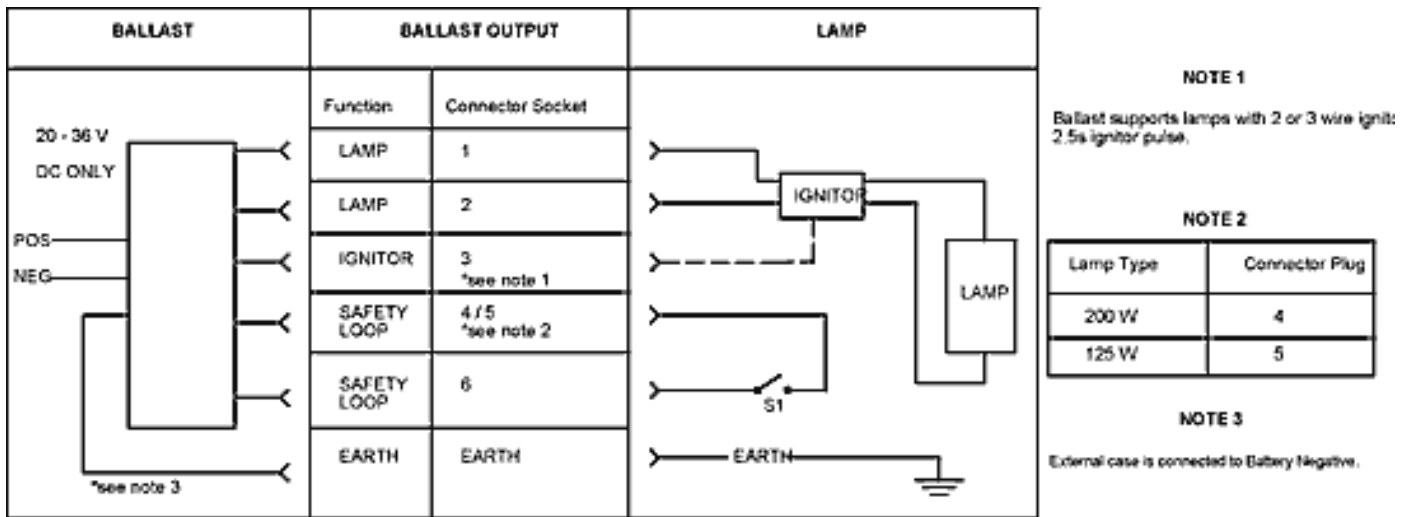


Figure 1. Ballast output connections and typical lamp configuration

· INPUT	The Ballast is fitted with a high current 2 core cable with a 4 pole XLR gold plated plug. Amphenol plugs are also available. Please specify at time of ordering. XLR Pin 1 - Neg; Pin 2 - Pos; Pin 3 and Pin 4 linked. Amphenol: A - Neg; B - Pos.
· PROTECTION	REVERSE POLARITY: The Ballast is internally reverse polarity protected. In case of the wrong connections to the Ballast, it will not turn on. CONNECTING PIN PROTECTION: To eliminate pin arcing and burning the Ballast has an internal time delay to connect power to its control circuitry. FUSE: An internal fuse protects the Ballast.
· MECHANICAL	The ballast is housed in an extruded aluminium heatsink casing. The ballast may be fitted with a "stand-lock" docking accessory to permit easy fitting to a battery or battery belt if required. Cooling is provided by means of a low noise proportional temperature controlled fan.
· DIMENSIONS	Height: 63mm (Without Stand-Lock), 78mm (With Stand-Lock) Length: 167mm with Controls (Excluding DC power input cable) Width: 130mm Weight: 1.2Kg. (With Stand-Lock)
· ENVIRONMENTAL	Operating: Temp: 0 to 35oC, Humidity: 10 to 80% no condensation. Storage: Temp: -20 to 85oC Humidity: 5 to 90% no condensation.
· COOLING	Fitted with a progressive cooling fan. Airflow increases as the Ballast temperature increases. This prolongs fan and Ballast life, as well as reducing noise.
· FINISH	Red anodised with main body colour trimmed front and back panels.

For your safety the Ballast has been designed, constructed, and tested to stringent European "CE" and American UL Safety and EMC Standards.

Ordering information

Type	Order Ref	Comments
125W/200W DC MSR	125/200W DC	Standard version

Accessories: Stand Lock.

Note: Specifications subjects to change without notice.