

SOLARIS SILVER IKW MO



code 1800 SIL

Specifications

Construction all in aluminium.
Colour matt silver anodized heat resistant.
Fresnel lens diam. 152mm F100-55 (or 150mm F110-60).
Extra pure aluminium coated mirror 99.99%
Lampholder G22.
Fitting halogen lamps 650W CP68,
1000W CP71, 1200W CP93 (3200°K)
Spot Flood control Manual.
M.O.Yoke mount in steel, with 1-1/8" (29mm) spigot.
Power cable Titanex HAR H07 RN - section 3x1,5mmq
4m. long for M.O.
8 Amp. 250V switch on board (16Amp. 125V).
Inox safety wire guard.
Supplied complete with Gel frame and barndoor.
Weight 4,95 Kg M.O. Without cable.

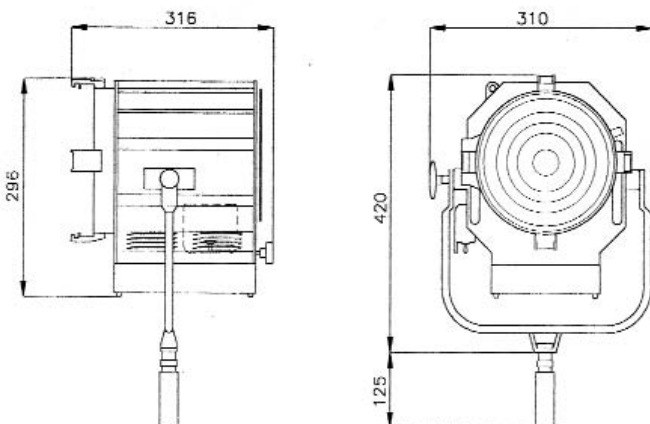
Accessories

Code 1801: 530 gr. (supplied with lamphood) Four leaf rotating barndoor.
Code 1802: 130 gr. (supplied with lamphood) Gel frame.
Code 1804: Single scrim.
Code 1805: Double scrim.
Code 1806: Half single scrim.
Code 1807: Half double scrim.
Code 315: C clamp with 29mm socket

Photometrics

DISTANCE 3 m	SPOT	FLOOD
light center value	12630	962
beam angle= beam at 50% peak value	6°	61°
field angle= beam at 10% peak value	12°	69°
RATIO	1:13,1	

Fitting halogen lamps with G22 (Bi-post 22) base.



CODE 1800 SIL



CODE 1800 GL

Available in Gold (1800 GL)