



On Camera 10W / 20W code 3200

Supplied fully equipped in Set **READY TO GO**
(daylight filter, barndoor and lamp included in the price)

Specifications

Category : **ENG**

Application : **on board of HDV camcorders.**

Developed for the new HDV cameras generation, this small focusable, light-weight and rugged light delivers cost efficiency in term of both product acquisition and running costs.

Nominal power 10W /20W, but the lamp delivers 44% more light output than equivalent models.

It can be powered by the dual Cam/Light battery packs Ianiro with DC socket:

code 3201: battery Cam/Light Li-Ion type Sony 8800mAh (for HDV HVR-Z1E);

code 3207: battery Cam/Light Li-Ion tipe JVC 8800mAh (for GY-HD 110);

code 3208: battery Cam/Light Li-Ion tipe PANASONIC 8800mAh (for AG-HVX 200E).

Soft start to protect the camcorder when the lamp is switched on (4sec)

Superior quality reflector aluminium 99,99% extra pure.

Computer aided reflector design & coatings (by proprietary Ianiro software).

High rendering bulb.

Robust and durable construction.

Uniform light beam. Variable spot-flood aperture.

Even light beam from edge to edge.

Elegant design.

Connector for Ianiro dual Cam/Light batteries.



Code 3201
Battery InfoLITHIUM Series L for Camcorder Sony
7,4 V 8800 mAh 65 W/h
With DC connector for powering the light or
other accessories.
Max 20W with soft start



Code 3207
Battery for Camcorder JVC
7,4 V 8800 mAh 65 W/h
With DC connector for powering the light or
other accessories.
Max 20W with soft start

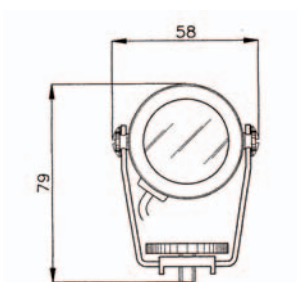
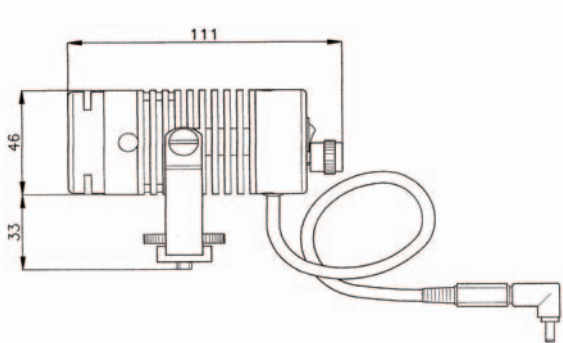


Code 3208
Battery for Camcorder Panasonic
7,4 V 8800 mAh 65 W/h
With DC connector for powering the light or
other accessories.
Max 20W with soft start

Photometrics

DISTANCE 1 m (LAMP TYPE 10W High Rendering (=20W))	SPOT	FLOOD
light center value	565	342
beam angle	21°	41°
RATIO	1: 1,65	

Ianiro on board HDV Cam_light fitted with a 10W or 20W / 6V bulbs powered by the above mentioned batteries gives 44% more light output than other camera lights with equivalent consumption ! Using the Ianiro batteries at 8800mAh 65W/h and powering at the same time the camera 7.2V in mode record (15W), the light can run 90 min when fitted with the 20w lamp and 132 min when fitted with the 10w lamp.



BATTERY PACK CODE 3201